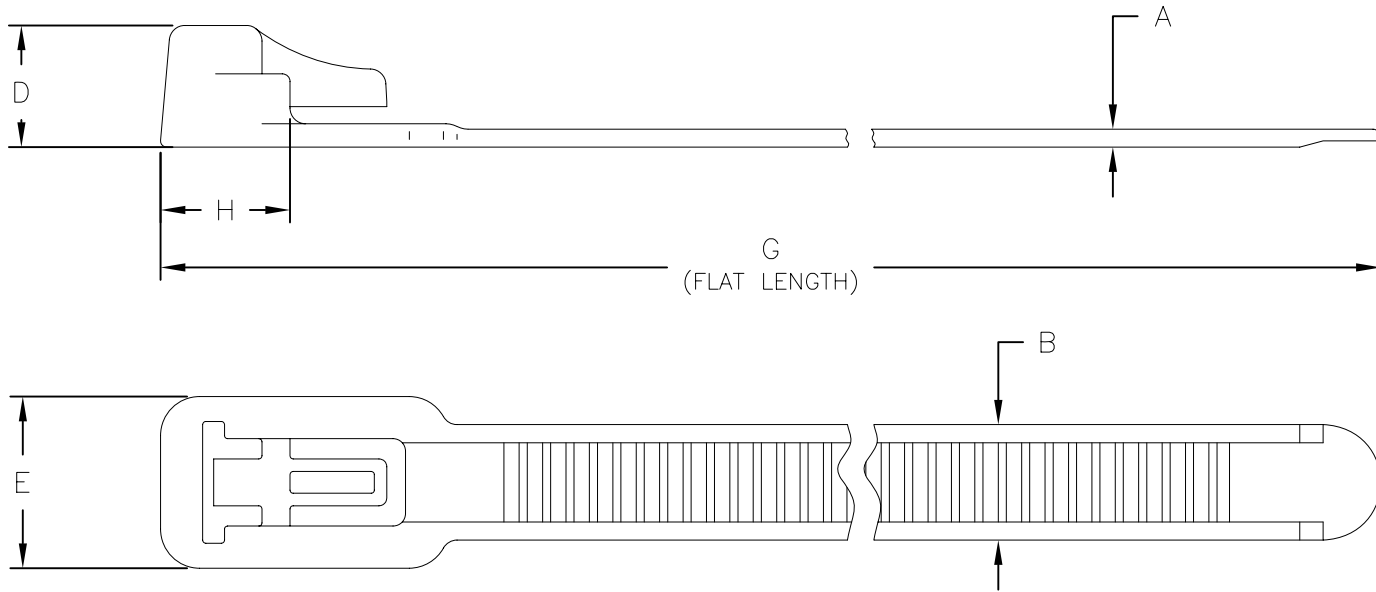


Revision level		Revision Record	Changed	Date	Approved	Date
part	drawing					
C	01	See ECN 002672	A.A.C.	07/06/01		



PRODUCT CODE DESCRIPTION

REL50L  
 └── COLOR  
 (CONSULT FACTORY FOR AVAILABLE COLORS)

Group Number (UNS)	Product Code	Cable Range (mm)	Material	A	B	D	E	G	H	Min Loop Tensile Strength (newtons)
-	REL50L_	2.5 to 70	PA66	1.2 ±0.2	7.4±0.2	7.8 ±0.5	10.7 ±0.5	250.0 ±5.0	8.3 ±0.5	225

SEE CHART

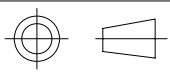
Material

Dimension tolerances unless otherwise specified  
 .XXXX =  
 .XXX =  
 .XX =  
 .X = NOTED  
 < =

Dimension Units mm

PERFORMANCE SPECIFICATION

ACAD 2000



Drawn A.A.C. 07/06/01  
 Approved

Scale 1:1  
 Computer File Number CT\CST\2053005\_01

ALL PROPRIETARY RIGHTS IN THE SUBJECT MATTER SHOWN ON THIS DRAWING ARE EXCLUSIVE PROPERTY OF HELLERMANN TYTON

**HellermannTyton®**

7930 N. Faulkner Rd.  
 Milwaukee, WI 53224  
 Ph: (414) 355-1130  
 Fx: (414) 362-8338

**REL50L  
 RELEASABLE CABLE TIES**

Drawing-No **CT2053005CST**

Format AH  
 Sheet 1 of 1

**Product Number**  
**Cross Reference Record**

Uncontrolled Document

<b>Pre-UNS Number System</b>	<b>(New) UNS Universal Number System</b>	<b>Customer Part Number</b>
Product Number  <b>REL50L0C2</b>	Product Number  <b>115-00600</b>	Product Number  <b>-</b>
Reference Drawing Number: <b>CT2053005CST</b>		

Issued By:	(New) UNS Product Number	Issue Date:
<b>HellermannTyton</b>	<b>Universal Numbering System</b>	<b>May 7, 2008</b>