

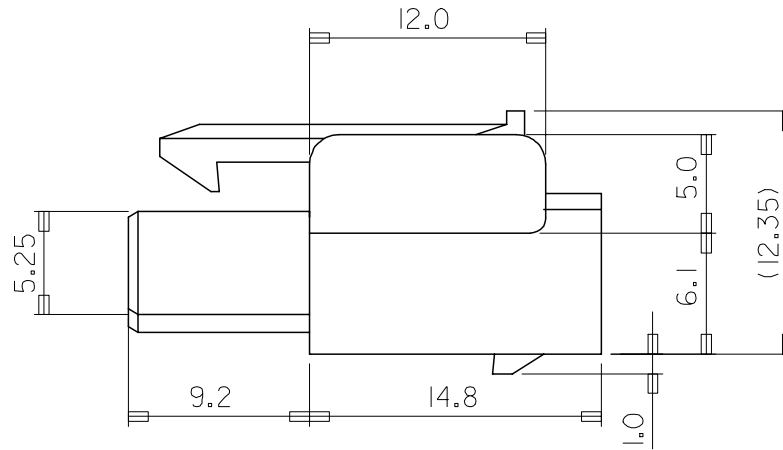
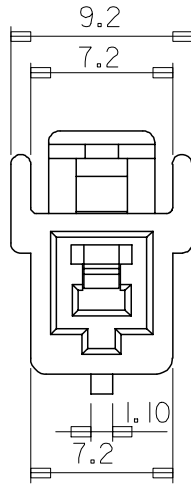
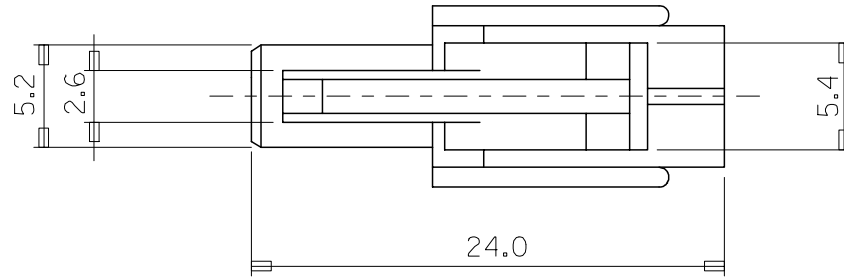
10 9 8 7 6 5 4 3 2 1

F

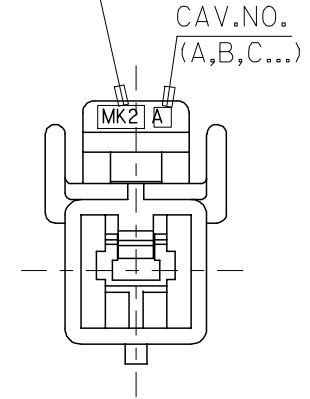
F

NOTES

1. HOUSING COLOR: SEE TABLE
2. MATING HOUSING: 35150-0100
3. APPLICABLE TERMINAL: 35746-0\*10
4. APPLICABLE TPA: 35182-019\*



TRADE MARK  
(MK2)



D

D

C

C

B

B

NO	PRODUCT		MATERIAL	
	PART NO	MATERIAL NO	COLOR	DESCRIPTION
1	35151-0110	351510110	NATURAL	PBT (UL94V-0)
2	35151-0112	351510112	RED	
3	35151-0114	351510114	BLUE	PBT/PC
4	35151-0119	351510119	NATURAL	

REVISED  
EC NO: KOR2008-0078  
DRWN: JHPARK01 2007/09/10  
CHKD: WY. YANG 2007/09/10  
APPR: YUNSIKKIM 2007/09/10

QUALITY SYMBOLS  
 =0  
 =0

	GENERAL TOLERANCES (UNLESS SPECIFIED)	
	mm	INCH
4 PLACES	± .005	± .0004
3 PLACES	± .005	± .0004
2 PLACES	± .005	± .0004
1 PLACE	± 0.3	± .012
ANGULAR ± 1 °		

DRAFT WHERE APPLICABLE  
MUST REMAIN WITHIN DIMENSIONS

DIMENSION STYLE	
MM ONLY	DATE
DRAWN BY	DATE
WY. YANG	
CHECKED BY	DATE
APPROVED BY	DATE

SCALE	DESIGN UNITS	THIRD ANGLE PROJECTION
4:1	METRIC	
.070 W/W PLUG HSG-1P		
MOLEX INCORPORATED		SHEET NO.
SD-35151-0110		1 OF 01
MATERIAL NO. SEE TABLE DOCUMENT NO. SD-35151-0110 SIZE A3 THIS DRAWING CONTAINS INFORMATION THAT IS PROPRIETARY TO MOLEX INCORPORATED AND SHOULD NOT BE USED WITHOUT WRITTEN PERMISSION		

9 8 7 6 5 4 3 2 1

A

A