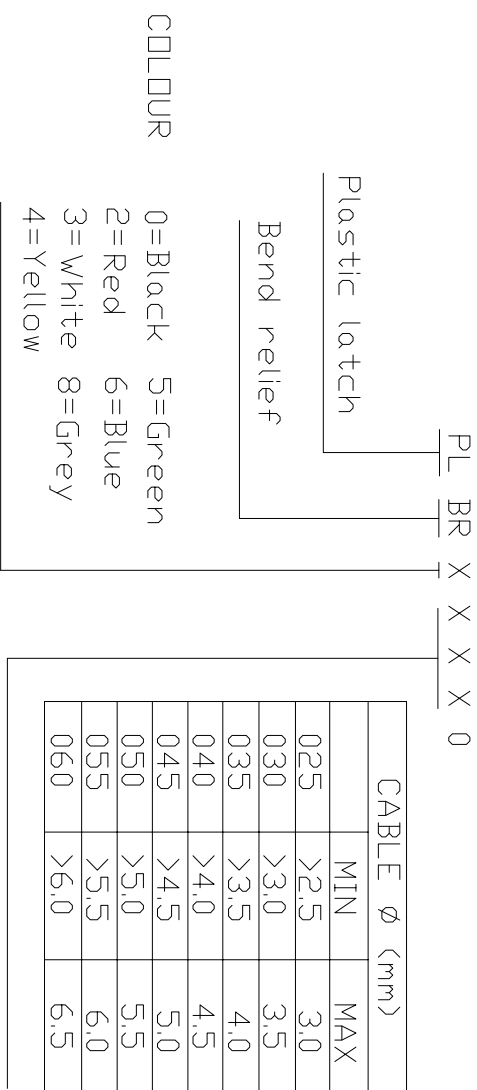


PUSH PULL PLASTIC BEND RELIEF P/N DESCRIPTION :

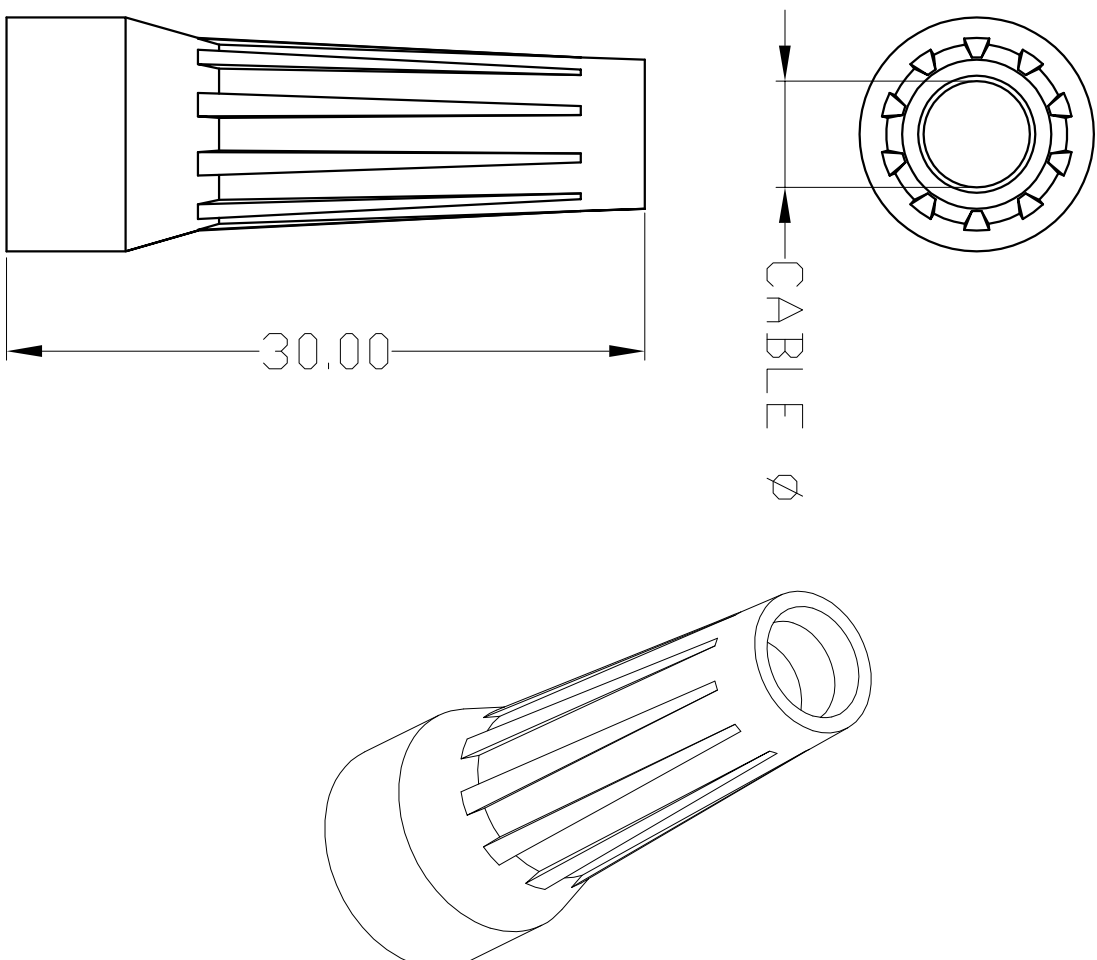


COLOR

- 0=Black 5=Green
- 2=Red 6=Blue
- 3=White 8=Grey
- 4=Yellow

NOTES :

1. MATERIAL : SILICON
2. ALL DIMENSIONS ARE IN MILLIMETERS.
3. RDHS DIRECTIVE COMPLANCE



DD NOT SCALE		Total Volume =		Total Surface Area =		PDM:		A3/B	
Drawn	DANIEL	08-May-15	Material:	3rd ANGLE PROJECTION	ITT Industries	Toupanlun Industrial Area, Jinda Cheng, Xiner Village, Shaojing Town, Baoan District, Shenzhen City PRC 518125	Drwg. No.	CU-132045	Iss/rev
Checked	HERDD	08-May-15							
Engineer.	DANIEL	08-May-15							
Manufac.									
Assembly			Treatment:	Surface Roughness	Cannon Electronics (SZ) Co. Ltd.	Scale 2:1	Sheet 1 of 1	CU-132045	A
Quality				Unless Specified					
Approvals	Sign	Date	Dimensions In:	Cust Spec No:					
This is issued in strict confidence on condition that it is not used as a basis for manufacture or sale and that it is not copied, reprinted or disclosed to a third party either wholly or in part without the prior written consent of ITT Industries C 08-May-15									